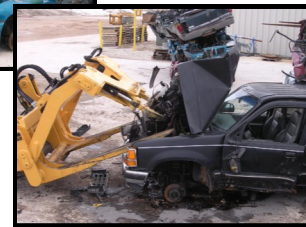
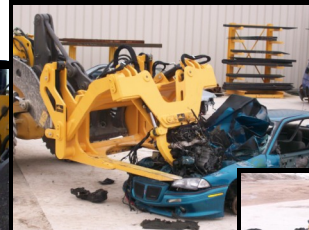




EXTRACT REVENUE FAST

SCORPION™ ENGINE PULLER FOR AUTO RECYCLERS



- √ Fits 3 or 4 pin machines with or without quick coupler
- √ Only requires 1 auxiliary spool

INCREASE CASH RECOVERY FROM YOUR RECYCLING OPERATIONS.

GENERATE REVENUE:

- Process end of life vehicles in less than 60 seconds.
- Pull scrap engines and transmissions in 30 seconds.
- 30%* more revenue by separating metals from bodies.
- 1000%* more revenue per lb. on wire harness from engine compartment & dash.
- 80% more visibility with a direct line of site from the operator's window through the forks.
- Cycle time less than 15 seconds from park to full extension
- Serviceable for long life. Replace blades in 3 hours or less on Class 30 Scorpion.

ENGINEERED & BUILT FOR OPTIMUM PERFORMANCE:

- ENGINEERED TOUGH for continuous prying & durability.
- Hardened pins and bushings and grease-able pivot points for extend service life.
- Hydraulic hoses & cylinders are protected to minimize potential damage from sharp objects.
- Built with high strength blades & Standard Scorpion has carriage skid plates for extended service.
- Clean up of ground debris is a snap with center plow blade.
- Speed is paramount in this design. Operator uses grapple from the cab, no torches, no personnel needed to hook up chains to pull or move engines. Safer, quicker & less costly removal of engines & transmissions.

SAS FORKS are trusted to handle over 12 Million lifts annually!

BEST SUITED FOR:

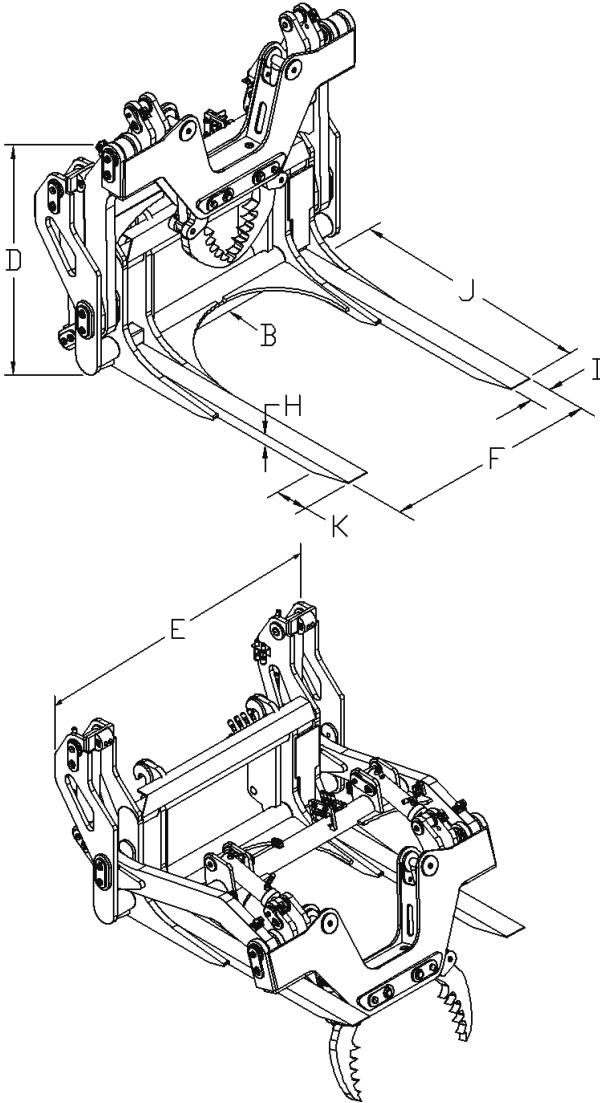
- Wheel loader with 3rd hydraulic spool controlled by separate lever, 3,000-4,000 PSI, 30-40 GPM, ≥3/4" ID lines
- 28,000 to 48,000 lbs. wheel loader curb weight; Class 30(attachment 6,050#) (blade cap. 27,400# @2' L/C)
- 22,500 to 27,900 lbs. wheel loader curb weight; Class 20(attachment 4,500#) (blade cap. 22,500# @2' L/C)

(*estimated only)



EXTRACT REVENUE FAST

SCORPION™ ENGINE PULLER FOR AUTO RECYCLERS



Item	CLASS 30	CLASS 20	Options
A-Wheel Loader Curb Weight	28-48k#	22-27k#	
B-Center Clean Up Plow	yes	yes	
Side Pressure Plate	yes	no	
C-EXTENDED SERVICE			
Carriage Skid Plates	yes	no	
D-LOAD TIP BACK PROTECTION			
Back Height	60"	60"	
E-LOAD STABILIZATION			
Overall Width	84"	66"	
F-Fork Spacing	60"	60"	
Outside to Outside (fixed)			
G-Blade Solid Steel	Forged	A514	A514
H-Blade Thickness	3"	3"	4"
3x6 blades: Loader 22-35K#			
3x8 blades: Loader 36-50K#			
4x10 blades: Loader 50-70K#			
I-Blade Width	6"	7"	8" 10"
J-Blade Useable Length	72"	72"	84"
Useable Length Measured from vertical face of the carriage to the tip.			
K-Blade Taper Length	12"	10"	
L-Blade Taper Facing	down	up	
M-Installation Pins	no	no	yes
N-Color	Yellow	Yellow	
O-Electrical Requirements:	24 volt	24 volt	12 volt
Space needed inside cab to accommodate 6" x 8" x 4" control box.			
P-Hydraulic Requirements existing on loader:			
-Separate auxiliary control lever in cab.			
-Min 3,000 PSI & 30 GPM, Max 4,000 PSI. Recommended 3,500 PSI & 40 GPM			
-Min 3/4" inside diameter auxiliary lines to front of loader arms			
-Customer to supply hoses from machine to Scorpion.			
Customer Sign X:	Date: ___/___/___		
Print Dealer Contact Person:	_____		

Contact:

S.A.S. of Luxemburg, Ltd.
133 Center Drive, Hwy 54
PO Box 260
Luxemburg, WI 54217-0260
Phone: 920-845-2198
Fax: 920-845-2309
Paul's Email: psecker@sasforks.com
Adam's Email: alindley@sasforks.com
Web Site: www.sasforks.com

BWQ:

CAPACITY CONSIDERATIONS Load Center:
Machine capacity? _____ # @ _____
Max Load desired? _____ # @ _____
Machine curb weight? _____ #
TOOL OR PALLET POCKET RESTRICTIONS
Pocket Spacing: Outside to outside _____"
Pocket Opening: Height _____" Width _____"
MACHINE: Make _____ Model _____
Serial # _____
Voltage 24 Volt 12 Volt
Existing 3rd Spool Separate Lever Yes No
Attachment: 3 Pin, 4 Pin, Quick Coupler:
Mfg _____ Series _____ S/N _____