



EFFICIENCY

CAR BODY FORKS DESIGNED FOR AUTO RECYCLERS



HANDLING CARS OR TRUCKS FROM THE SIDE

EFFICIENCY:

- GET MAXIMUM LIFT FROM YOUR LOADER. This is the optimum car handling fork for smaller wheel loaders due to SAS™ CAR BODY FORKS being of light weight construction (approximately 1,560 lbs) & center of gravity of only 20”.
- SLIDE FORKS WITH EASE UNDER CARS. The tip taper and low profile carriage ensure ease of entry & exit under the lowest cars, even without wheels or suspension.
- LOW PROFILE DESIGN provides the ability to pick up wide clip or box pallets.
- CLEAN UP OF GROUND DEBRIS is a snap with the center plow blade.
- PROTECT DOORS from damage with 84” long blades & optional Rubber Rocker Panel Bumpers.

ENGINEERED & BUILT FOR HANDLING CARS SAFELY:

- CAR STABILITY is assured with the wide stance & fixed fork blades providing ample length to enter the side of the car & reach across the frame rails. These fixed width forks are better than typical adjustable forks for this application due to the fact that adjustable forks may eventually slide closer together causing a tipping risk for cars.
- BUILT WITH SOLID STEEL high strength blades for extended service life.
- STRESS POINTS typically found by gussets are eliminated by special SAS™ carriage design which allows forks to be secured without welding across the top of the fork.
- EXCELLENT operator visibility enables less operator damage due to blind spots.
- Breakout force capable, forks can be engineered & built by special request.

[CAR BODY FORKS are not built for prying, crushing or machines over 34,000 lbs.]

SAS FORKS are trusted to handle over 12 Million lifts annually!

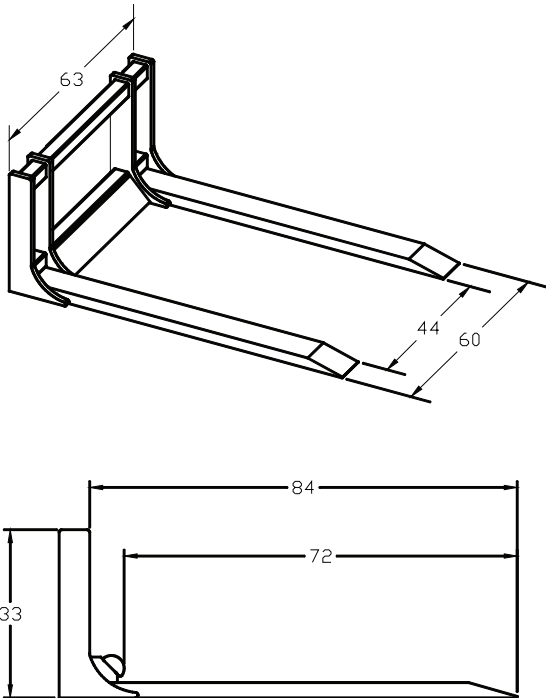
BEST SUITED FOR:

- 15,000 to 33,000 lbs. curb weight wheel loader, pin or quick coupler mounting.



EFFICIENCY

CAR BODY FORKS DESIGNED FOR AUTO RECYCLERS



For loaders under 34,000 lbs curb weight, pin or QC mounting

Item	STD	Options
A- Blade: High tensile SOLID steel	50KPI	
B- Blade Thickness	3"	
C- Blade/Tine Width	8"	
D- Blade Length	84"	72" with bumpers
<i>Custom lengths available on request</i>		
Door Protection: Rocker Panel Bumpers	no	yes
84" Blade Length is measured from vertical face of the carriage to tip of the blade.		
72" Useable Length is measured from face of rocker bumpers to tip of the blade.		
E- Tip Taper Length	9 1/2"	
F- Tip Taper Facing	Up	
G- Blade Spacing Outside to Outside	60"	
H- Blade Spacing Inside to Inside	44"	
I- Carriage Back Height	33"	
J- Carriage Width	63"	
K- Center Plow	yes	
L- Installation Pins	no	yes
TOOL OR PALLET POCKET RESTRICTIONS		yes / no
Pocket Spacing: Right to Left: Outside _____ to Outside _____		
Pocket Opening: Length _____ Width _____ Height _____		

Customer Sign X: _____ Date: ___/___/___

Print Dealer Contact Person: _____

Measures may vary for engineering, if any are critical, indicate "critical" above.
This is a standardized product, limited options are available.

Contact:

S.A.S. of Luxemburg, Ltd.
 133 Center Drive, Hwy 54
 Luxemburg, WI 54217-0260
 Phone: 920-845-2198
 Fax: 920-845-2309
 Paul's Email: psecker@sasforks.com
 Adam's Email: alindley@sasforks.com
 Web Site: www.sasforks.com

BWQ:

CAPACITY CONSIDERATIONS

Are you prying with the forks? Yes No
 Load Center: _____

Max Load desired? _____ # @ _____
 Machine capacity? _____ # @ _____

TOOL OR PALLET POCKET RESTRICTIONS

Pocket Spacing: Outside to outside _____"
 Pocket Opening: Height _____" Width _____"

MACHINE: Make _____ Model _____
 Serial # _____

Attachment: 3 Pin, 4 Pin, Quick Coupler
 Mfg _____ Series _____ Serial # _____